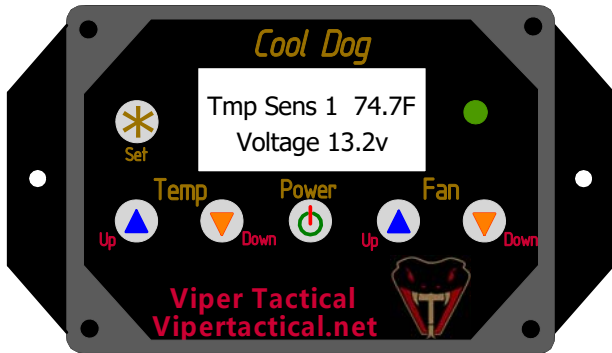
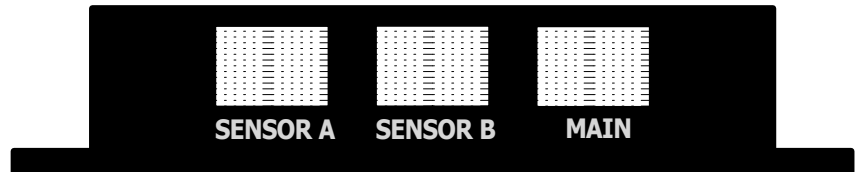


Cool Dog Watch "Basic" (CDW)

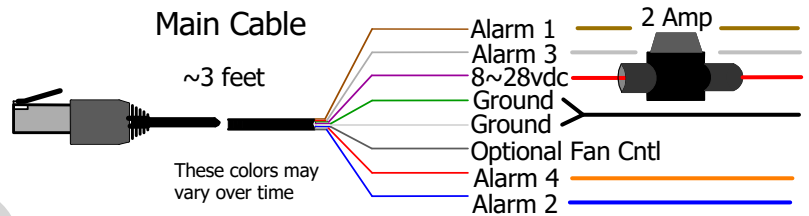
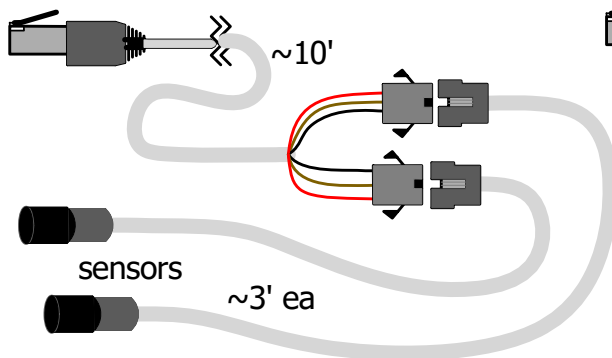


Connector Side

The CDW basic comes with Sensor A only
Sensor B cable is an option.



Sensor A cable configuration



- Alarm 1 = 1 sec on, 3 sec off, repeating pattern
- Alarm 2 = Constant on in an alarm condition
- Alarm 3 = 1 sec on, 1 min. off, intended for the optional pager system
- Alarm 4 = constant on if voltage alarm occurs

On condition is a low or ground to activate a relay

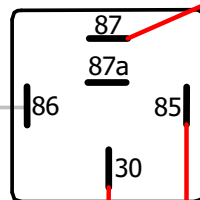
Custom sensor cables can be made upon request,
with no, to a minimal charge, (depends on the length)
Sensors have a temperature range of 35F to 230F

The CDW alarm outputs are low current, enough to drive a low current LED or a intended relay.

The CDW voltage limit is 28vdc.

CDW Alarm output x

12v from trailer/vehicle power source, fuse block or distribution block



Output to Alarm signaling device

Typical automotive type relay (SPDT)
(not included)